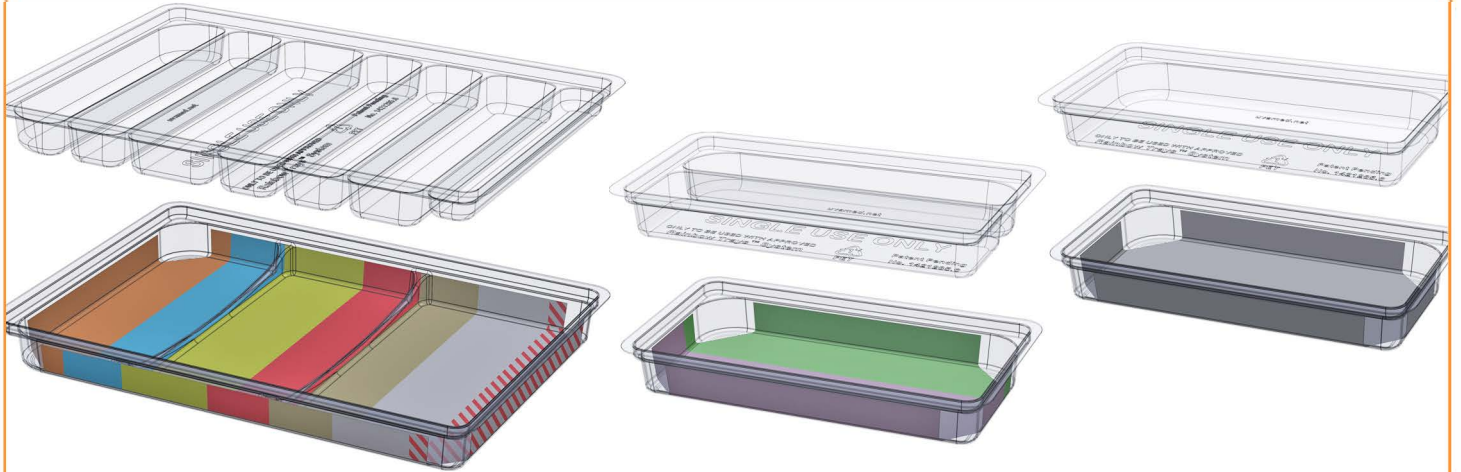


Rainbow Trays™

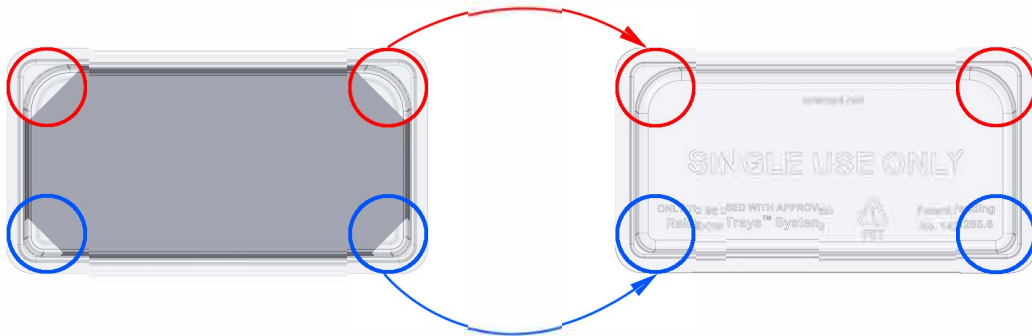


Colour coded Anaesthetic trays

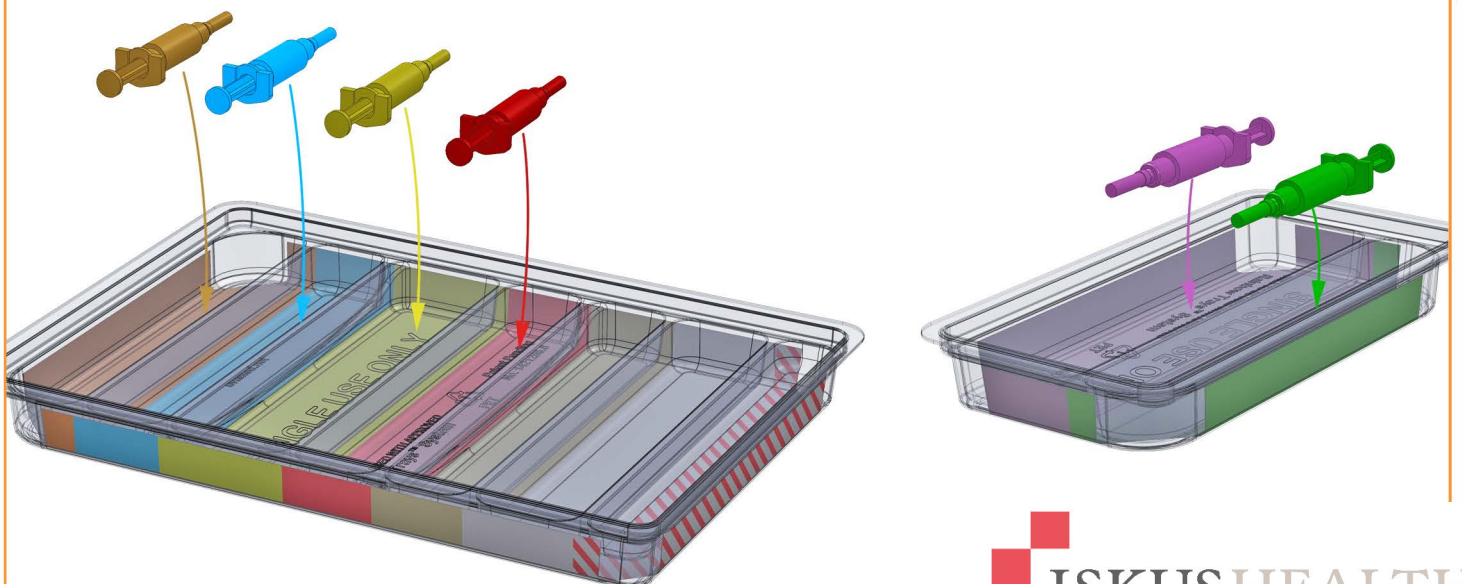
Rainbow Trays™ Bases & Inserts



Inserts locate in one orientation only



Syringes are colour coded to each compartment

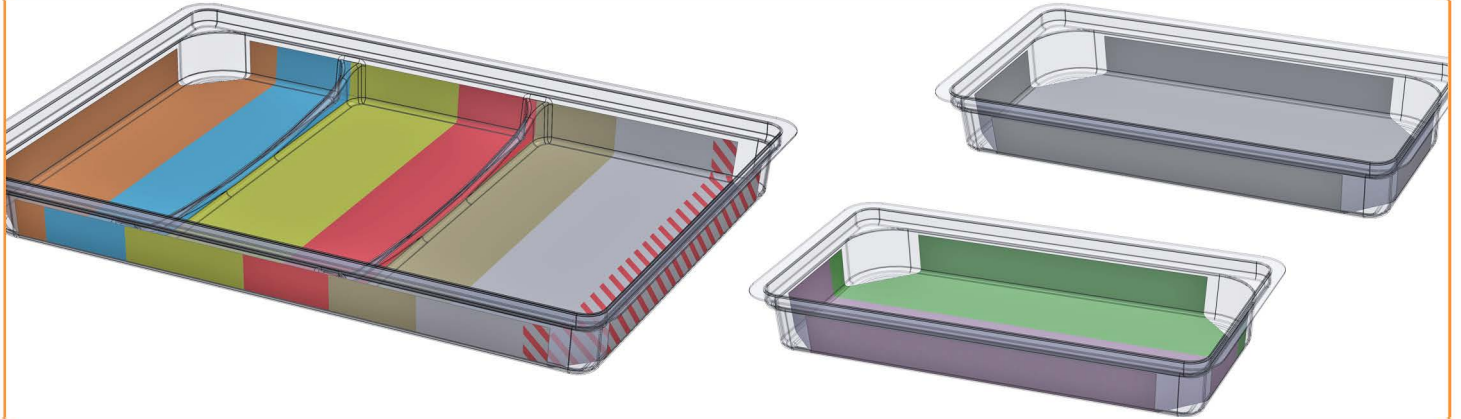


Rainbow Trays™



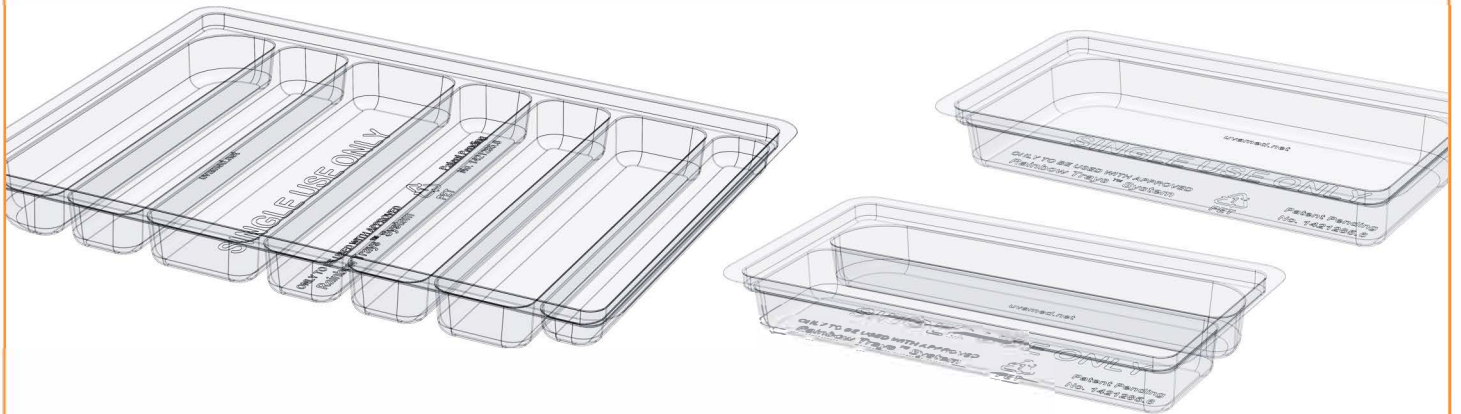
Colour coded Anaesthetic trays

Reusable Base Trays



The base trays are reusable up to a maximum of 100 times. They can be Anti-bacterially wiped clean or sterilised with Ethylene Oxide.

Single Use Insert Trays



The insert trays are single use only and can be fully recycled



Customer Services and Distribution Contact Details

United Kingdom

Tel: +44 (0) 208 869 6509

Email: uksales@iskushealth.com

Ireland

ROI Tel: +353 (0) 1 428 7895

Email: info@iskushealth.com

www.iskushealth.com



Patent Pending No. 1421285-06
Manufactured to BRC Grade A

