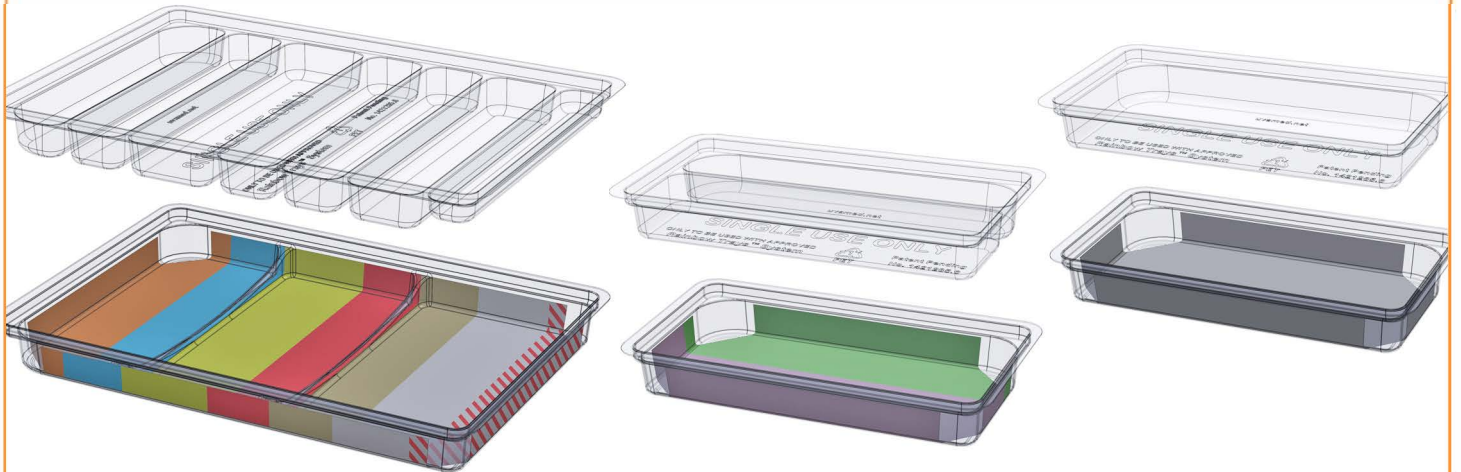


# Rainbow Trays™

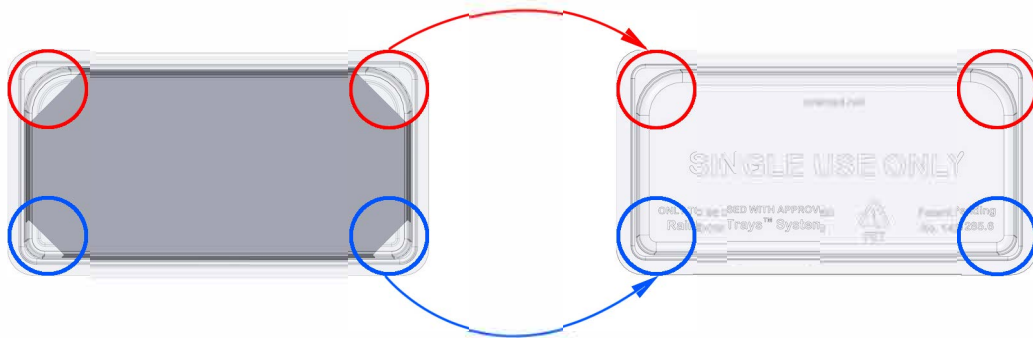


Colour coded Anaesthetic trays

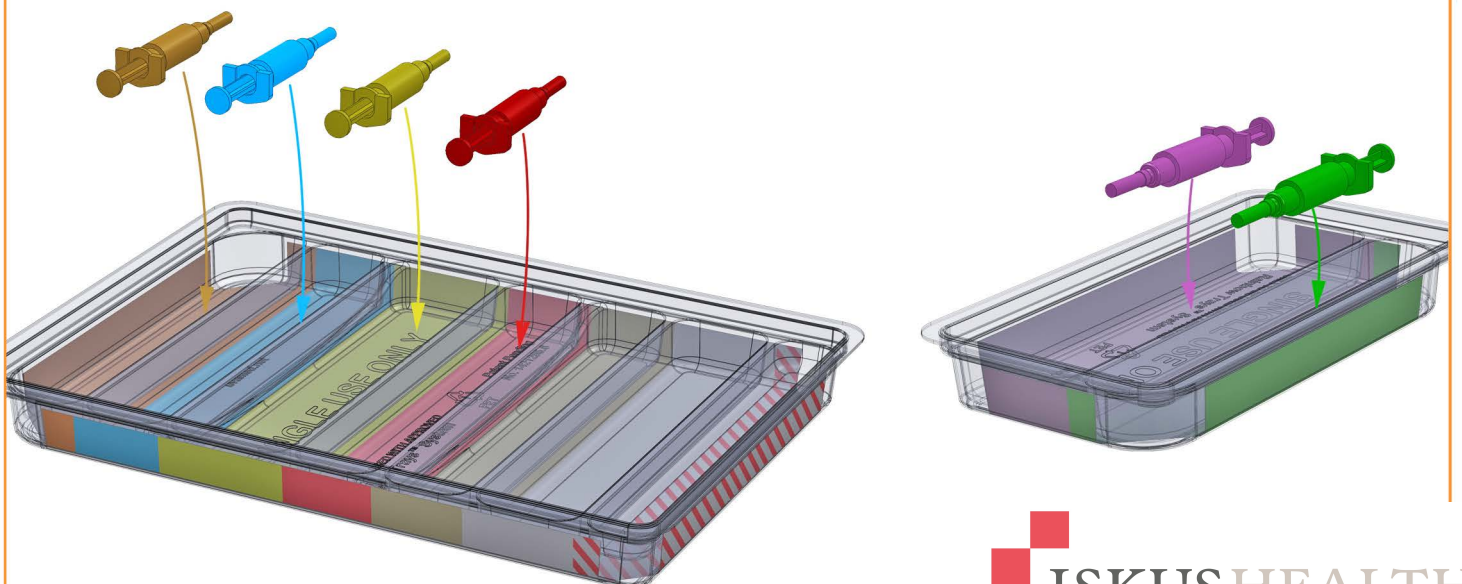
## Rainbow Trays™ Bases & Inserts



## Inserts locate in one orientation only



## Syringes are colour coded to each compartment

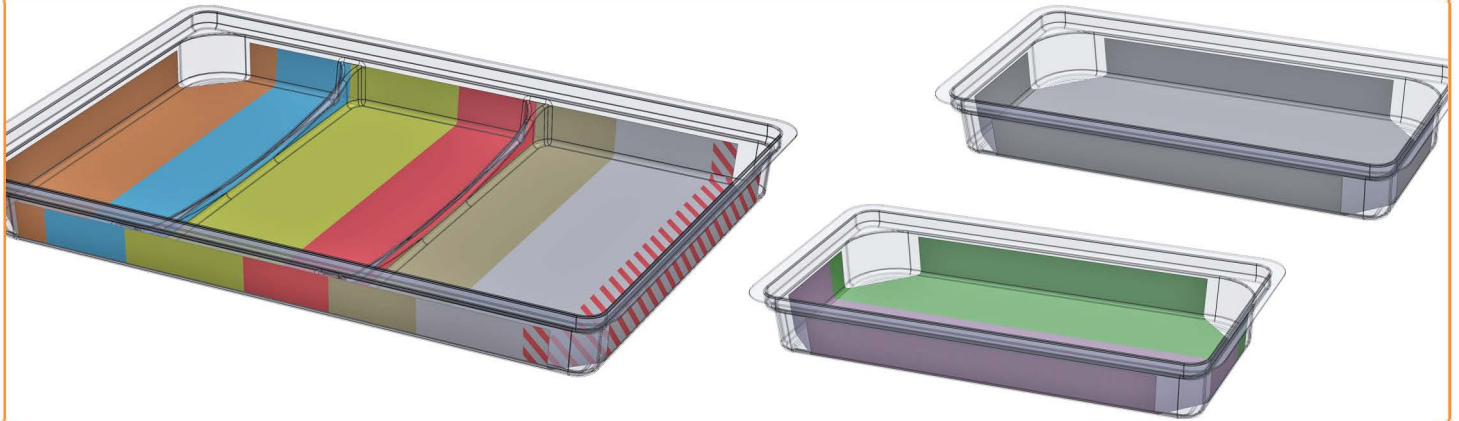


# Rainbow Trays™



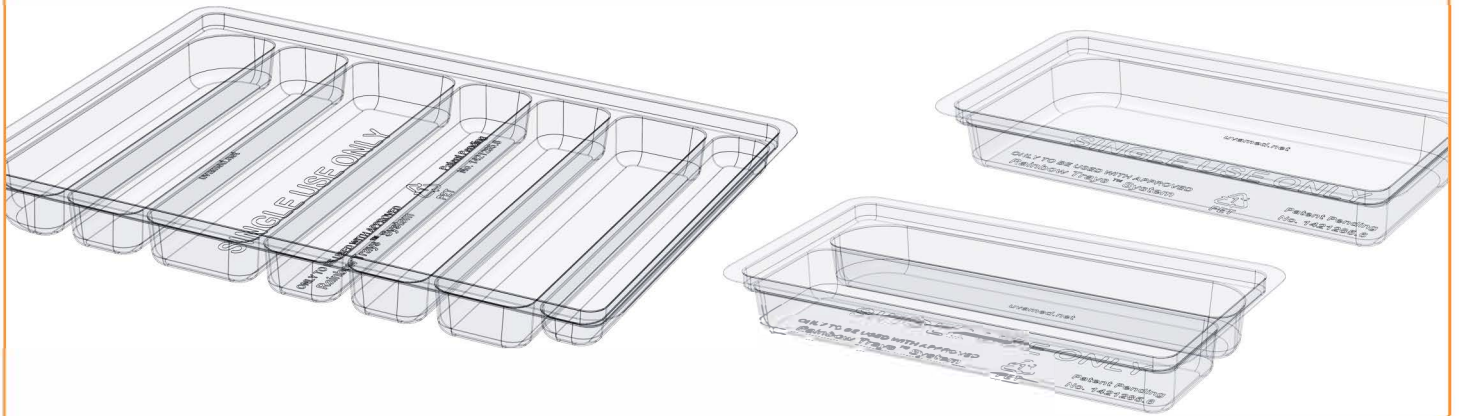
Colour coded Anaesthetic trays

## Reusable Base Trays



The base trays are reusable up to a maximum of 100 times. They can be Anti-bacterially wiped clean or sterilised with Ethylene Oxide.

## Single Use Insert Trays



The insert trays are single use only and can be fully recycled



### Customer Services and Distribution Contact Details

#### United Kingdom

Tel: +44 (0) 1256365458

Email: [uksales@iskushealth.com](mailto:uksales@iskushealth.com)

#### Ireland

ROI Tel: +353 1 404 8383

NI Tel: 0845 850 8600

Email: [info@iskushealth.com](mailto:info@iskushealth.com)

[www.iskushealth.com](http://www.iskushealth.com)



Patent Pending No. 1421285-06  
Manufactured to BRC Grade A

